



The North American Collection

Forte Square (Selectable Wattage/CCT Series)

High Abuse Square Wall Sconce - Selectable Wattage / CCT



order example:

FT-S-L-SLED-SCCT-UNV-BK-PHOT-TP

SERIES

FT-S Forte Square Series

SIZES

S Small: 6" Width x 8" Height x 4" Depth

L Large: 5" Width x 14" Height x 4" Depth

LED WATTAGE

Note: Refer to Chart for Wattage / Lumen Output

SLED *Selectable LED Wattages
 - Small Model: 12W | 14W | 16W
 - Large Model: 18W | 20W | 22W

LED COLOR TEMPERATURE (CCT)

SCCT *Selectable CCT: 3000K | 4000K | 5000K

VOLTAGE

UNV 120-277 Universal Volt Electronic Driver
 - Non-Dimmable

STANDARD FINISH

BK Black
 BZ Bronze
 PA Painted Aluminum
 WHT White

PREMIUM UPCHARGE FINISH

CC Custom Color (Visit www.ralcolor.com)
 - Provide RAL# for Make-to-Match Color Chip

PHOTOCELL OPTION

Note: Cannot be used with Sensor Option Below

PHOT Photocell

OR

SENSOR OPTION (Sensor Integral to Fixture)

Note: Cannot be used with Photocell Option Above

OCC Occupancy Sensing / Motion Sensor Integral
 - Operational at 18 Watt Only

MISC OPTION

TP Torx Tamperproof Screws

ACCESSORY OPTIONS

Order As A Separate Line

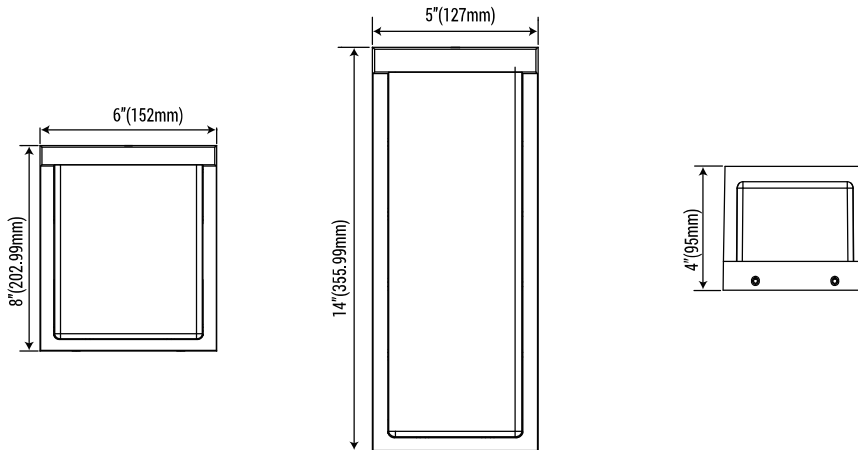
9008 T8 Torx Security Bit for Screwdriver

***NOTE:** Fixtures will ship from factory at lowest wattage and warmest CCT. It is the installer's responsibility to set the fixture at the desired wattage and CCT for their project.

SELECTABLE WATTAGE / LUMENS

Size	Low Power	Medium Power	High Power
Small	12 Watt (1440 Lumens)	14 Watt (1680 Lumens)	16 Watt (1920 Lumens)
Large	18 Watt (2160 Lumens)	20 Watt (2400 Lumens)	22 Watt (2640 Lumens)

DIMENSIONS



Catalog Number	
Project Name & Location	Type

Product Specifications

DRIVER: Universal Voltage 120/277V Electronic Driver. (Non-Dimming)

FINISH: Corrosion Resistant Polyester Powder Coated Finish.

HOUSING: Die Cast Aluminum Housing.

LENS: Anti-Yellowing and High Transmission Polycarbonate Diffuser.

LIGHT ENGINE: Energy Efficient Light Emitting Diode (LED) - Selectable Wattage / CCT.

Wattages: 18W, 20W or 22W / CCT: 3000K, 4000K or 5000K.

LED LIFETIME: ≥50,000hrs.

MOUNTING: Mounts to standard 3" and 4" recessed junction boxes via mounting strap. Can also be 4-point mounted via supplied mounting screws.

OPERATING AMBIENT TEMPERATURE: -20°C to +40°C (-4°F to 122°F)

COMPLIANCE: Built to comply with U.S. and Canadian safety standards. RoHS, ADA, and Buy American Act (BAA) Compliant. IP66 Rated, suitable for wet location.

WARRANTY: 5-Year Limited Warranty.

CGF design Inc | PO Box 911 | Morton Grove, IL 60053 | p: 847.815.5079 | f: 847.470.9828 | http://www.cgfdesigninc.com | sales@cgfdesigninc.com



The North American Collection

Forte Square (Static Wattage/CCT Series)

High Abuse Square Wall Sconce — Static Wattage / CCT | Optional Emergency Battery



order example:

FT-S-L-LED15-CT4-UNV-BK-CA14-EM10W

SERIES

FT-S Forte Square Series

SIZES

L Large: 5" Width x 14" Height x 4" Depth

LED WATTAGE

LED10 10 Watt LED

LED15 15 Watt LED

LED COLOR TEMPERATURE (CCT)

CT3 ±3000K LED Color Temp

CT35 ±3500K LED Color Temp

CT4 ±4000K LED Color Temp

CT5 ±5000K LED Color Temp

VOLTAGE

UNV 120~277 Universal Volt Electronic Driver
– 0-10V Dimming (100-10%) is Standard

STANDARD FINISH

BK Black

BZ Bronze

PA Painted Aluminum

WHT White

PREMIUM UPCHARGE FINISH

CC Custom Color (Visit www.ralcolor.com)
– Provide RAL# for Make-to-Match Color Chip

PHOTOCELL OPTION

PHOT Photocell
– Requires Conduit Back Box (CA)

SENSOR OPTION (Sensor Integral to Fixture)

OCC Occupancy Sensing / Motion Sensor Integral
– Requires Conduit Back Box (CA)

MISC OPTION

TP Torx Tamperproof Screws

CONDUIT ADAPTER OPTION

CA14 14"H x 5"W x 1.5"D Conduit Adapter Back Box

EMERGENCY BATTERY OPTIONS

- Emergency Battery Options Meet California Energy Commission Title 20 [CEC-400-2014-009-CMF] Efficiency Standands (Cold Weather is NON-CEC)
- Cold Weather Emergency Batteries Temp Range: -20°C thru 50°C
- Emergency Batteries Require Conduit Adapter (CA Option)

EM10W Integral 10 Watt LED

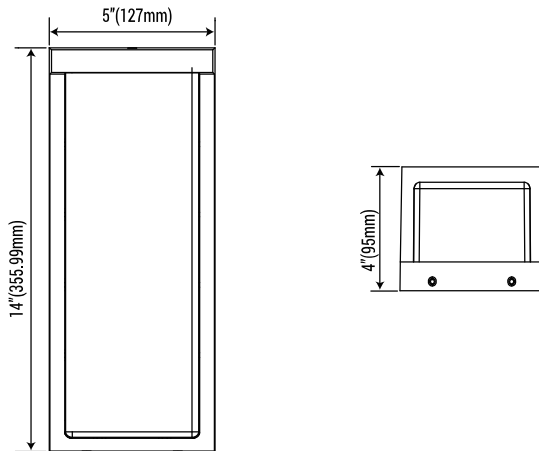
EM10W- Integral 10 Watt LED - Cold Weather CW

ACCESSORY OPTIONS

Order As A Separate Line

9008 T8 Torx Security Bit for Screwdriver

DIMENSIONS



Catalog Number	
Project Name & Location	Type

Product Specifications

DRIVER: Universal Voltage 120/277V Electronic Driver with 0-10V Dimming (100-10%).

FINISH: Corrosion Resistant Polyester Powder Coated Finish.

HOUSING: Die Cast Aluminum Housing.

LENS: Anti-Yellowing and High Transmission Polycarbonate Diffuser.

LIGHT ENGINE: Energy Efficient Light Emitting Diode (LED) - Static Wattage / CCT.

Wattages: 10W, 15W / CCT: 3000K, 3500K, 4000K or 5000K.

LED LIFETIME: ≥50,000hrs.

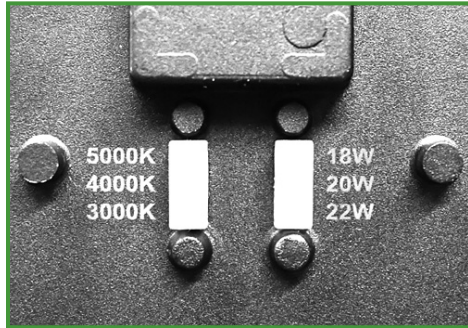
MOUNTING: Mounts to standard 3" and 4" recessed junction boxes via mounting strap. Can also be 4-point mounted via supplied mounting screws.

OPERATING AMBIENT TEMPERATURE: -20°C to +40°C (-4°F to 122°F)

COMPLIANCE: Built to comply with U.S. and Canadian safety standards. RoHS, ADA, and Buy American Act (BAA) Compliant. IP66 Rated, suitable for wet location.

WARRANTY: 5-Year Limited Warranty.

FEATURES



Selectable Wattage / CCT Switches
 Located on Back of Fixture



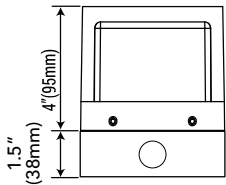
APPLICATIONS



Applications

- Apartments
- Condominiums
- Affordable Housing
- Dormitories
- Hospitality
- Senior Housing
- Assisted Living
- Public Storage
- Military

CONDUIT ADAPTER BACK BOX



Forte Square with Conduit Adapter Back Box Option

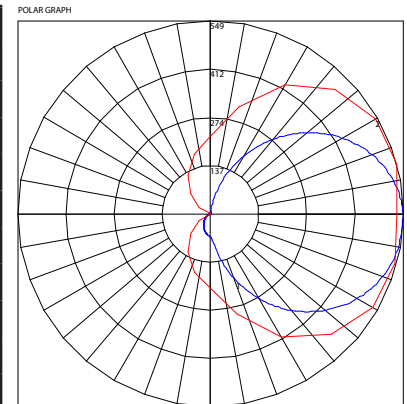


Shown with Optional Conduit Adapter Back Box

PHOTOMETRIC DATA

Summary of Results FT-S-L-SLED22W-SCCT-CT3-UNV					
Lumen Output	Efficacy	Input Power	CCT	Distribution	BUG Rating
2,592.8 Lumens	119.2 Lm/W	21.76W	3000K	N/A	B0-U4-G3

LCS Summary	
Zone	Lumens
Forward Low (0-30)	70.5
Forward Medium (30-60)	381.3
Forward High (60-80)	436.5
Forward Very High (80-90)	242.9
Back Low (0-30)	31.7
Back Medium (30-60)	100.7
Back High (60-80)	90.4
Back Very High (80-90)	48.0
Up Low (90-100)	287.9
Up High (100-180)	902.9



Maximum Candela = 548.71 Located At Horizontal Angle = 15, Vertical Angle = 90
 # 1 - Vertical Plane Through Horizontal Angles (15 - 195) (Through Max. Cd)
 # 2 - Horizontal Plane Through Vertical Angle (90) (Through Max. Cd)